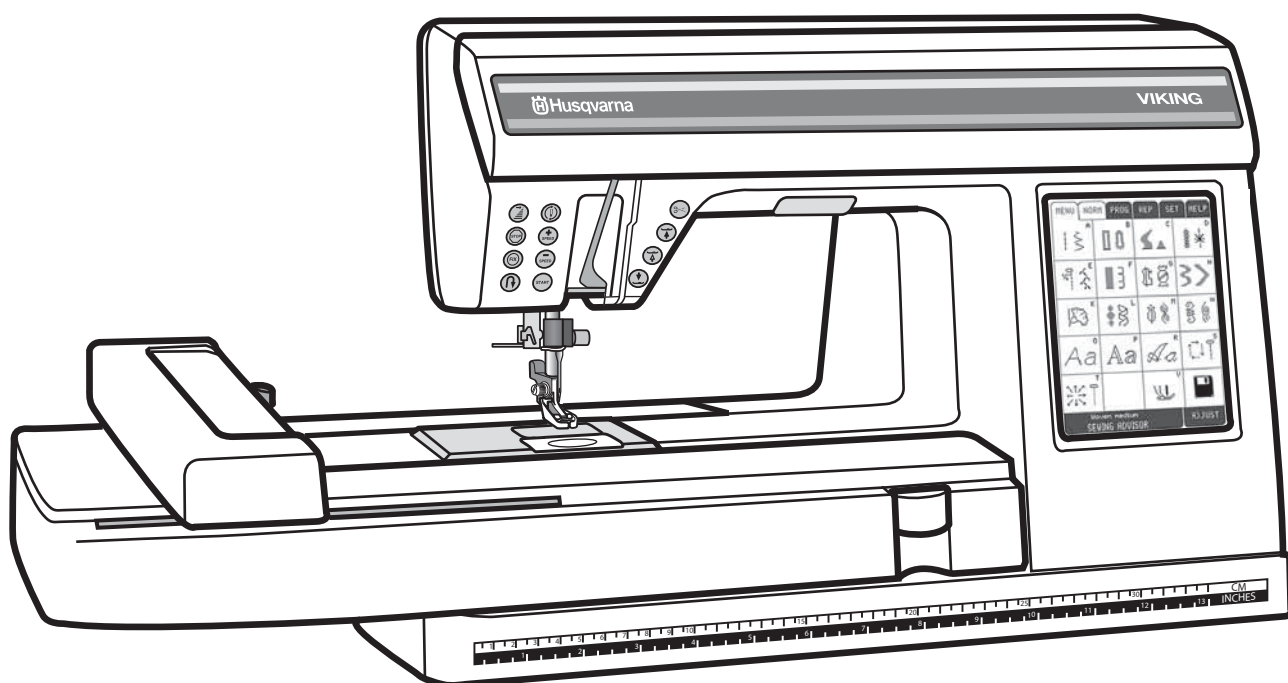


Parts List



Designer I

Designer I^{ESS}

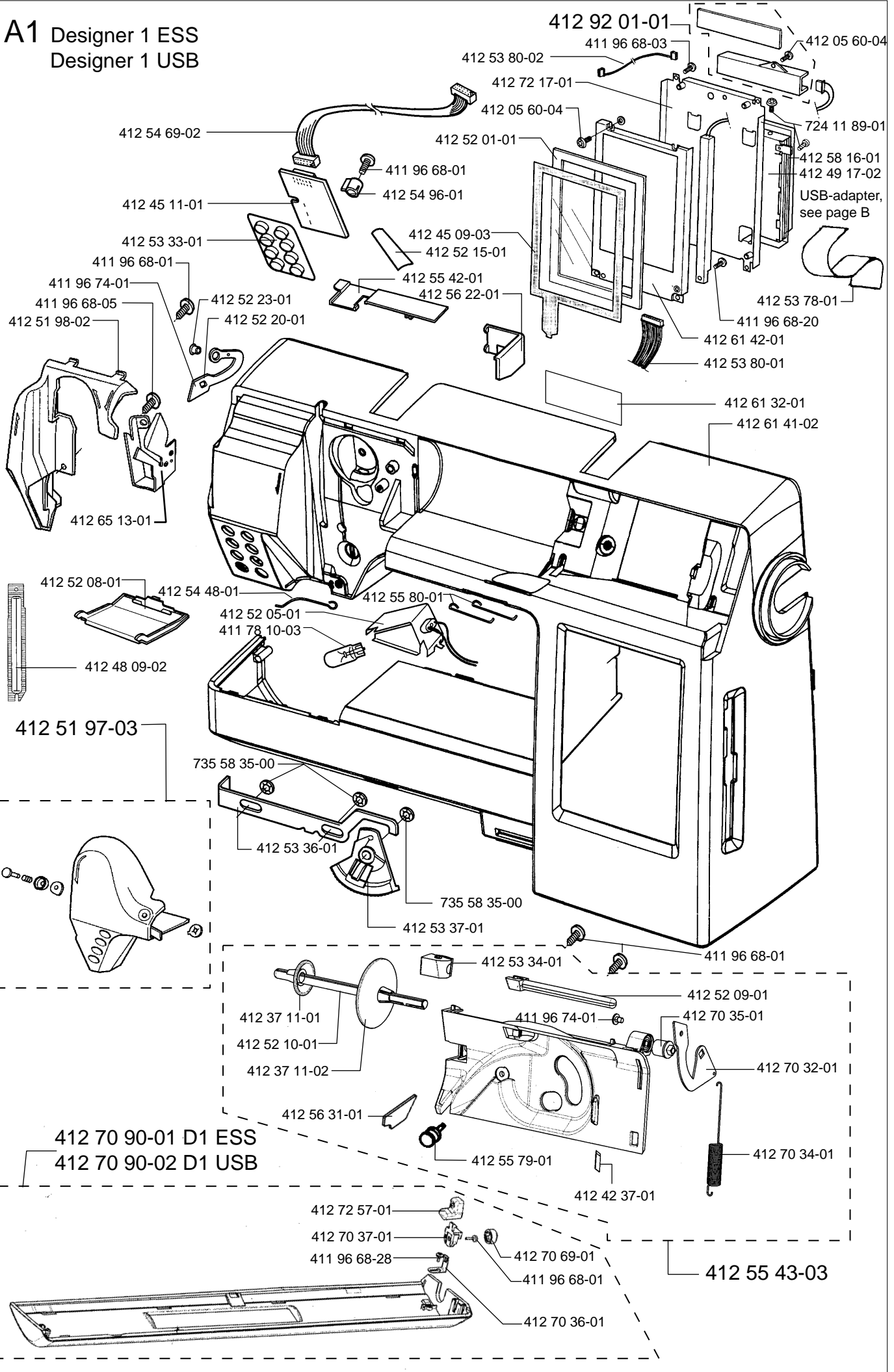
Designer I^{USB}

Part No	Description	Page	Part No	Description	Page
411 72 10-01	Washer	G	412 47 16-01	Thread tension	E
411 78 10-03	Lamp	A, K	412 48 09-02	Protection-thread take up	A
411 96 68-01	Screw	A, D, K, P, Q	412 49 17-02	Floppy disk drive	A
411 96 68-03	Screw	A, B, K	412 49 25-01	Foot control compl.	N
411 96 68-04	Screw	K	412 49 30-01	Control unit with winder	N
411 96 68-05	Screw	A, M	412 49 49-01	Distance	C
411 96 68-07	Screw	P	412 50 01-01	Sewing head, frame compl	K
411 96 68-08	Screw	P	412 50 06-01	Bearing	K
411 96 68-10	Screw	B	412 50 08-01	Gear segment	K
411 96 68-12	Screw	C	412 50 09-01	Spring	K
411 96 68-20	Screw	A	412 50 10-01	Spring	K
411 96 68-21	Screw	K	412 50 11-01	Link	K
411 96 68-25	Screw PT 16*8	K, M	412 50 15-01	Bearing	K
411 96 68-26	Screw	K	412 50 22-01	Setting plate	K
411 96 68-28	Screw PT 30*6	A1, B	412 50 23-02	Eccentric needle adjust.	K
411 96 71-07	Screw M3*4	C	412 50 24-01	Cross head compl.	K
411 96 72-04	Screw M 3*6	P	412 50 27-01	Calibration stop	K
411 96 73-06	Screw 25*6	Q	412 50 31-01	Rack compl.	K
411 96 74-01	Screw	A	412 50 34-01	Pressar bar lifter	K
411 96 75-01	Washer	M	412 50 41-01	Spring	K
411 98 14-01	Washer	R	412 50 42-01	Connecting Board, sewing head	K
412 05 60-01	Screw	C	412 50 43-01	Lamp holder compl.	K
412 05 60-04	Screw	A, F, H, P	412 50 46-01	Wedge	K
412 05 60-06	Screw	B, C, F, H, I, L	412 50 47-01	Clamp ring	K
412 05 60-10	Screw	C, F	412 50 48-01	Clamp ring	K
412 05 60-11	Screw	G, P, Q	412 50 55-01	Frame , lower	K
412 05 60-12	Screw M 4*6	P, Q	412 50 56-01	Step motor	K
412 15 27-01	Cog wheel	F	412 50 60-01	Side feeding unit	F
412 15 78-01	Cord device 220 V	N	412 50 63-01	Draw bar	F
412 15 79-02	Cord device Japan	N	412 50 64-01	Cog segment	F
412 15 79-03	Cord device 120 V	N	412 50 65-01	Clamp	F
412 15 80-02	Cord device England	N	412 50 66-01	Draw bar	F
412 15 81-01	Cord device Australia	N	412 50 72-01	Spring	H
412 15 98-01	Spring	N	412 50 73-01	Eccentric	F
412 18 45-01	Foot	N	412 50 87-01	Spring	D
412 19 53-01	Washer	F	412 50 88-01	Damper	D
412 21 14-03	Screw	K	412 50 89-01	Thread cutter gearbox	D
412 21 14-04	Screw	K	412 50 97-01	Slide	D
412 21 14-06	Screw	K	412 51 01-01	Thread hook	D
412 21 14-14	Screw	C	412 51 05-01	Cover, thread cutter	D
412 21 14-20	Screw	G	412 51 28-01	Step motor compl.	D
412 22 98-01	Nut	H	412 51 31-01	Cable, thread sensor compl	D
412 28 19-02	Screw	G, K	412 51 33-01	Bobbin holder	D
412 28 54-02	Presser bar	K	412 51 34-01	Bobbin hatch	D
412 28 79-01	Screw	D	412 51 36-01	Feed unit	G
412 30 06-01	Driver	L	412 51 37-01	Guide compl. With carriger	G
412 30 07-01	Spring	L	412 51 43-01	Block, guide	G
412 30 08-01	Pully	L	412 51 44-01	Feed carriage	G
412 30 09-02	Handwheel	L	412 51 49-01	Spring	G
412 30 30-01	Guide arm	K	412 51 50-01	Feed dog compl.	G
412 30 50-01	Foot	C	412 51 51-01	Feed dog	G
412 30 55-01	Rubber ring	B	412 51 53-01	Spring	G
412 31 69-01	Spring	K	412 51 54-01	Lever, Feed lift	G
412 31 60-49	Pin	Q	412 51 55-01	Spring	G
412 31 79-01	Clutch	L	412 51 56-01	Stop ring	G
412 31 81-01	Clamp	I	412 51 63-01	Worm gear	I
412 31 84-01	Bushing, feed dog	G	412 51 64-01	Holder, stopright card	C
412 32 27-04	Bobbin winding unit	B	412 51 68-01	Lower shaft	I
412 32 33-02	Sealing washer	B	412 51 69-01	Eccentric feed	I
412 32 34-08	Step motor compl. Z-Z	K	412 51 70-01	Distance	I
412 32 34-09	Step motor compl. Feeding	H	412 51 76-01	Accessory box	O
412 33 62-01	Cog wheel	K	412 51 89-01	Nut	M
412 32 84-01	Clamp	I, L	412 51 90-01	Housing, Thread tension	M
412 33 75-01	Spring	F	412 51 91-01	Sensor	M
412 33 93-01	Attachment, motor	C	412 51 92-01	Spring	M
412 33 94-01	Muffler, motor	C	412 51 93-01	Thread guide	M
412 33 97-02	Motor	C	412 51 94-01	Adjusting sleeve	M
412 34 26-01	Spring	B	412 51 95-01	Push buttons	M
412 34 50-01	Eccentric	B	412 51 97-03	Thread tension cover	A1, M
412 34 51-01	Adjusting arm	B	412 51 98-02	Thread guide	A1
412 34 54-01	Cog belt , motor	L	412 52 01-01	Sealing	A
412 34 60-01	Stop ring	I	412 52 05-01	Lamp comp.	A
412 34 81-01	Spring	H	412 52 08-01	Lamp guard	A
412 34 82-01	Screw	H	412 52 09-01	Thread holder	A
412 34 85-01	Joint cross	H	412 52 10-01	Reel pin	A
412 34 88-01	Fastner	H	412 52 14-01	Spring	M
412 34 96-01	Cable, motor	C	412 52 15-01	Heat protector	A
412 34 97-02	Cable Trafo - PC Board	C	412 52 16-01	Door, front cover	A2
412 35 26-01	Washer	I	412 52 20-01	Hinge	A
412 35 33-02	Driving wheel compl.	C	412 52 21-01	Spring	A2
412 35 42-01	Pully	I	412 52 23-01	Bushing	A
412 35 62-01	Pin	B	412 52 25-02	Back cover, upper	B
412 36 83-03	Arm shaft compl.	L	412 52 26-01	Handle	B
412 36 84-01	Cog belt	L	412 52 28-01	Back cover, free arm	B
412 36 87-01	Pin	L	412 52 30-01	Cover plate, embroidery	B
412 37 11-01	Thread real disc (Small)	A	412 52 33-01	Base plate, cover	C
412 37 11-02	Thread real disc (Big)	A	412 52 34-01	Base plate	C
412 37 82-01	Nut	G	412 52 40-01	Step motor Y-unit compl	Q
412 38 42-02	Cog wheel	P, Q	412 52 42-01	Cable, embroidery unit	P
412 38 43-01	Washer	P, Q	412 52 46-01	Cog wheel, large	P, Q
412 38 81-05	Flex cable, USB pc-board	B	412 52 48-01	Holder, X-cog belt	P
412 39 09-26	Plastic bag with acc.	O	412 52 49-01	Adjuster, belt tension	P
412 39 47-01	Washer, hook	E	412 52 53-01	Holder, Y-cog belt	Q
412 39 90-01	Nut	R	412 52 54-02	Sensor	Q
412 40 97-01	Screw	K	412 52 55-01	Cog belt, Y-unit	P
412 42 37-01	Knife	A, B, D	412 52 61-01	Circuit board	Q
412 44 68-01	Screw	R	412 52 64-03	Frame Y-unit	Q
412 44 69-01	Grip 150x240	R	412 52 65-03	Button	Q
412 44 83-46	Circuit board Designr 1 USB	C	412 52 66-01	Spring	Q
412 44 87-01	Spring, bobbin winding	B	412 52 67-01	Cog belt	Q
412 45 09-03	Touch screen	A	412 52 71-02	Embroidery hoop 150x240	R
412 45 11-01	Circuit board, push buttons left	A	412 52 77-01	Upper cover, X-unit	P
412 45 23-01	Knife, compl	B	412 52 78-01	Lower cover, X-unit	P
412 45 24-01	Knife holder	B	412 52 79-01	Cover,Y-unit	Q
412 45 38-01	Circuit bord, push buttons right	M	412 52 80-01	Step motor cover, Y-unit	P
412 46 44-01	Screw	E	412 52 83-01	Locker, Embroidery unit	P
412 46 45-01	Screw	E	412 52 84-01	Spring	P

Part No	Description	Page	Part No	Description	Page
412 52 85-01	Guide rail	P	412 77 38-01	Needle clamp cpl.	K
412 52 92-01	Cover	O	412 81 39-01	Hook cover cpl.	D
412 52 97-01	Friction tape	P	412 86 68-01	Grease protector	E
412 53 03-01	Screen	I	412 86 69-01	Shaft	E
412 53 30-01	Stitch plate	D	412 87 63-01	Needle threader	K
412 53 33-01	Push buttons	A	412 87 67-01	Plate	K
412 53 34-01	Guide, real pin	A	412 87 68-01	Plastic holder, needle threader	K
412 53 36-01	Link	A	412 87 69-01	Hook	E
412 53 37-01	Knob, feed dog lowering	A	412 92 01-01	LCD Transformer cpl.	A
412 53 74-01	Embroidery templet 100x100	R	412 93 01-01	Spring	E
412 53 75-01	Embroidery templet 150x240	R	412 93 48-01	Dust cover	E
412 53 78-01	Flex cable, Floppy/USB pc-board	A, B	412 93 57-01	USB adapter pc-board	B
412 53 80-01	Cable, display	A	412 93 61-01	Holder USB-board	B
412 53 80-02	Cable, lamp transformer	A	412 93 62-01	Cover USB-port	B
412 54 02-01	Feeding unit	H	412 94 20-01	Needle threader Compl.	K
412 54 06-01	Calibration stop	H	721 41 69-70	Pin	H
412 54 07-01	Damper	H	721 41 87-70	Pin	I, L
412 54 08-01	Cog wheel	H	721 42 10-10	Pin	I
412 54 10-01	Shaft	H	724 11 89-01	Screw	A
412 54 48-01	Thread guide	A, M	725 52 20-05	Screw M3*6	H
412 54 52-01	Cog segment	D	725 52 28-05	Screw	K
412 54 53-01	Lever	D	728 52 17-05	Screw	F, H, K, M
412 54 54-01	Fetcher	D	728 52 19-05	Screw M3*5	K
412 54 55-01	Knife slide	D	728 52 22-05	Screw M3*8	K
412 54 56-01	Spring	C	728 52 83-05	Screw M4*4	G
412 54 64-01	Calibration lever	P, Q	728 52 85-05	Screw	K
412 54 65-02	Holder	Q	728 52 87-05	Screw M4*8	E
412 54 66-01	Pin, feed dog lowering	P	728 53 20-05	Screw	L
412 54 69-01	Cable, conn card, sewing head	C	728 82 83-05	Screw	I, L
412 54 69-02	Cable, connection card- left	A	728 73 20-01	Screw	L
412 54 69-03	Cable, connection card- right	M	728 73 64-05	Screw 6*10 mm	C
412 54 69-04	Cable, connection card, stop right	C	734 11 25-41	Washer	K
412 54 96-01	Holder	A	735 21 36-01	Washer	C
412 54 97-01	Tap, thread guard	M	735 31 05-00	C-Washer	M
412 54 98-01	Washer	M	735 31 08-20	C -Washer	E, P, Q
412 55 01-01	Bobbin case compl.	E	735 31 10-20	C- Washer	P, Q
412 55 39-02	Card holder	P	735 58 23-00	Locking washer	M
412 55 42-01	Cable holder	A	735 58 35-00	Locking washer	A
412 55 43-01	Cover, bobbin winding D1	A2	735 58 55-00	Washer	L
412 55 43-03	Cover, bobbin winding D1 ESS, D1 USB	A1	735 61 13-40	Circlip	D
412 55 48-01	Step motor, thread tension	M	735 61 18-40	Circlip	K
412 55 57-01	Spring	Q	735 61 36-40	Circlip	F, K
412 55 62-01	Step motor	F	735 61 53-40	Circlip	K
412 55 79-01	Thread guide	A	920 073 005	USB Memory Stick D1 USB 128Mb	R
412 55 80-01	Thread guide	A			
412 55 81-01	Washer	M	ACCESSORIES		
412 55 82-01	Cable Embr. unit	C	412 39 09-26	Plastic bag with acc.	O
412 55 83-01	Holder	Q	401 53 99-01	Buttonhole knife	O
412 55 84-01	Damper	L	401 55 55-01	Brush	O
412 55 85-01	Connecting board	P	411 17 32-01	Clearance plate	O
412 55 93-01	Circuit board, stop right	C	412 56 15-45	Bobbins (10)	E, O
412 56 13-01	Cutter, thread brake	D	412 36 14-01	Stitch plate opener	O
412 56 15-45	Bobbin 10 pack	E	412 38 15-01	Screw driver	O
412 56 18-01	Step motor comp.	P	412 39 77-01	Net	O
412 56 22-01	Cable holder, arm shaft	A	412 44 77-01	Embroidery Scissors	O
412 56 31-01	Thread guide	A	412 57 01-01	Sleeve, lamp	O
412 56 39-01	Cover, X-unit	P	412 60 19-01	Edge/ Quilting guide	O
412 56 43-05	Transformer comp.	C	412 61 07-01	Felt Pad	O
412 56 54-01	Accessories , Embroidery	R	412 62 09-01	Grip aid for Hoops	O
412 56 97-01	Distance, back cover	B	PRESSER FEET		
412 57 75-03	Cable holder	C	412 76 40-01	Presser foot A	O
412 57 97-01	Grip 100x100	R	412 78 54-45	Presser foot B	O
412 58 16-01	Protector, floppy	A	412 79 82-45	Presser foot B, transparent	O
412 58 17-02	Needle bar cpl.	K	412 78 53-45	Buttonhole foot C	O
412 58 19-01	Thread guide	K	412 38 04-45	Blind hem foot D	O
412 58 99-01	Distance	B	412 80 15-45	Zipper foot E	O
412 59 00-03	Cover	Q	412 79 61-45	Smooth Glide foot H	O
412 59 01-01	Cog wheel	M	412 38 06-45	Edging foot J	O
412 59 11-01	Cable	K	412 37 08-45	Quilters 1/4" Piecing foot P	O
412 59 78-01	ESD-spring	C	412 84 98-01	Embroidery foot R	O
412 60 01-01	Needle bar frame	K	412 79 52-45	Presser foot S	O
412 60 02-02	Sewing head	K	412 81 51-01	Sensor Buttonhole Foot	O
412 60 03-01	Thread take up	K	USERS GUIDE D1, D1 ESS		
412 60 04-01	Hook cover	D	412 85 35-01	Users guide Swe	O
412 60 05-02	Thread tension unit,	M	412 85 35-06	Users guide Den	O
412 60 06-01	Washer set, thread tension	M	412 85 35-07	Users guide Isl	O
412 60 10-01	Distance, step motor	M	412 85 35-10	Users guide Jap	O
412 60 71-01	Embroidery disks	R	412 85 35-11	Users guide Fin	O
412 61 31-01	Spring	M	412 85 35-21	Users guide Nor	O
412 61 32-01	Heat protector,	A	412 85 35-26	Users guide Eng	O
412 61 33-01	Lever	M	412 85 35-31	Users guide Fra	O
412 61 41-02	Front cover cpl. ver.2	A	412 85 35-36	Users guide Dutch	O
412 61 42-01	LCD	A	412 85 35-41	Users guide Ita	O
412 61 47-01	Guide, connector	K	412 85 35-46	Users guide Spa	O
412 61 61-01	Pressar foot holder	K	412 85 35-51	Users guide Ger	O
412 61 92-01	Frame	Q	412 85 35-56	Users guide Rus	O
412 62 88-01	X-shaft	P	412 85 35-60	Users guide Por	O
412 62 89-01	Y-shaft	Q			
412 62 90-01	Bearing	P	USERS GUIDE D1 USB		
412 62 91-01	ESD-Cable, front cover	H	412 94 24-01	Users guide Swe	O
412 65 13-01	Thread Guide	A1	412 94 24-06	Users guide Den	O
412 65 45-02	Embroidery box	R	412 94 24-07	Users guide Isl	O
412 65 55-01	Thread Guide Tension kit	A2	412 94 24-10	Users guide Jap	O
412 69 34-01	Stylus	B	412 94 24-11	Users guide Fin	O
412 70 32-01	Hinge	A1	412 94 24-21	Users guide Nor	O
412 70 34-01	Spring	A1	412 94 24-26	Users guide Eng	O
412 70 35-01	Lid smotherer	A1	412 94 24-31	Users guide Fra	O
412 70 36-01	Spring	A1	412 94 24-36	Users guide Dutch	O
412 70 37-01	Lower button	A1	412 94 24-41	Users guide Ita	O
412 70 69-01	Upper button	A1	412 94 24-46	Users guide Spa	O
412 70 90-01	Door, front cover Designer 1	A1	412 94 24-51	Users guide Ger	O
412 70 90-02	Door, front cover Designer 1 USB	A1	412 94 24-56	Users guide Rus	O
412 72 17-01	Holder	A	412 94 24-60	Users guide Por	O
412 72 57-01	Cover spring	A1			
412 73 23-01	Screw, Needle clamp	K			
412 74 61-01	Foot control cover	N			
412 74 98-01	Sensor	Q			

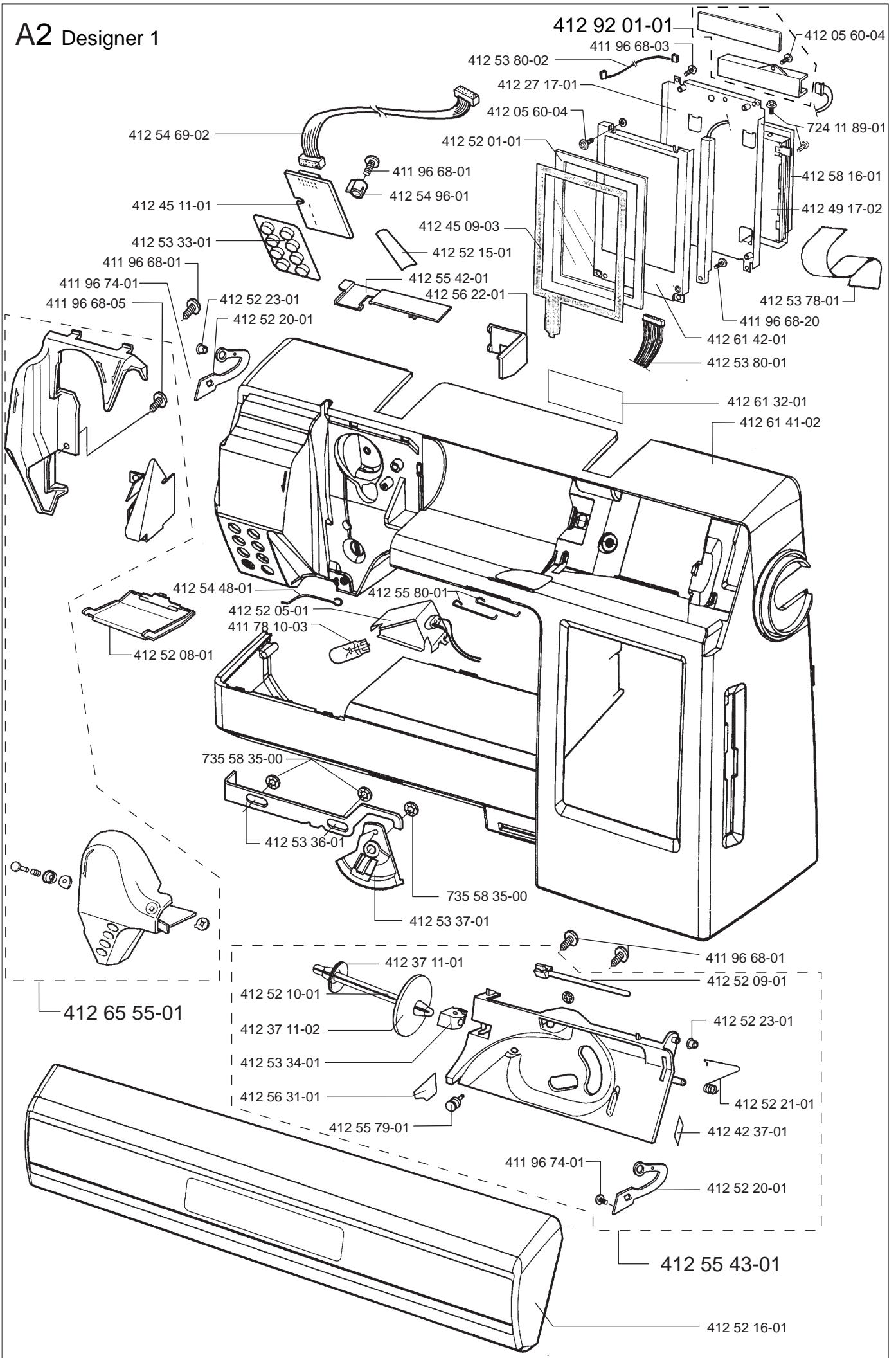
A1 Designer 1 ESS Designer 1 USB

412 92 01-01

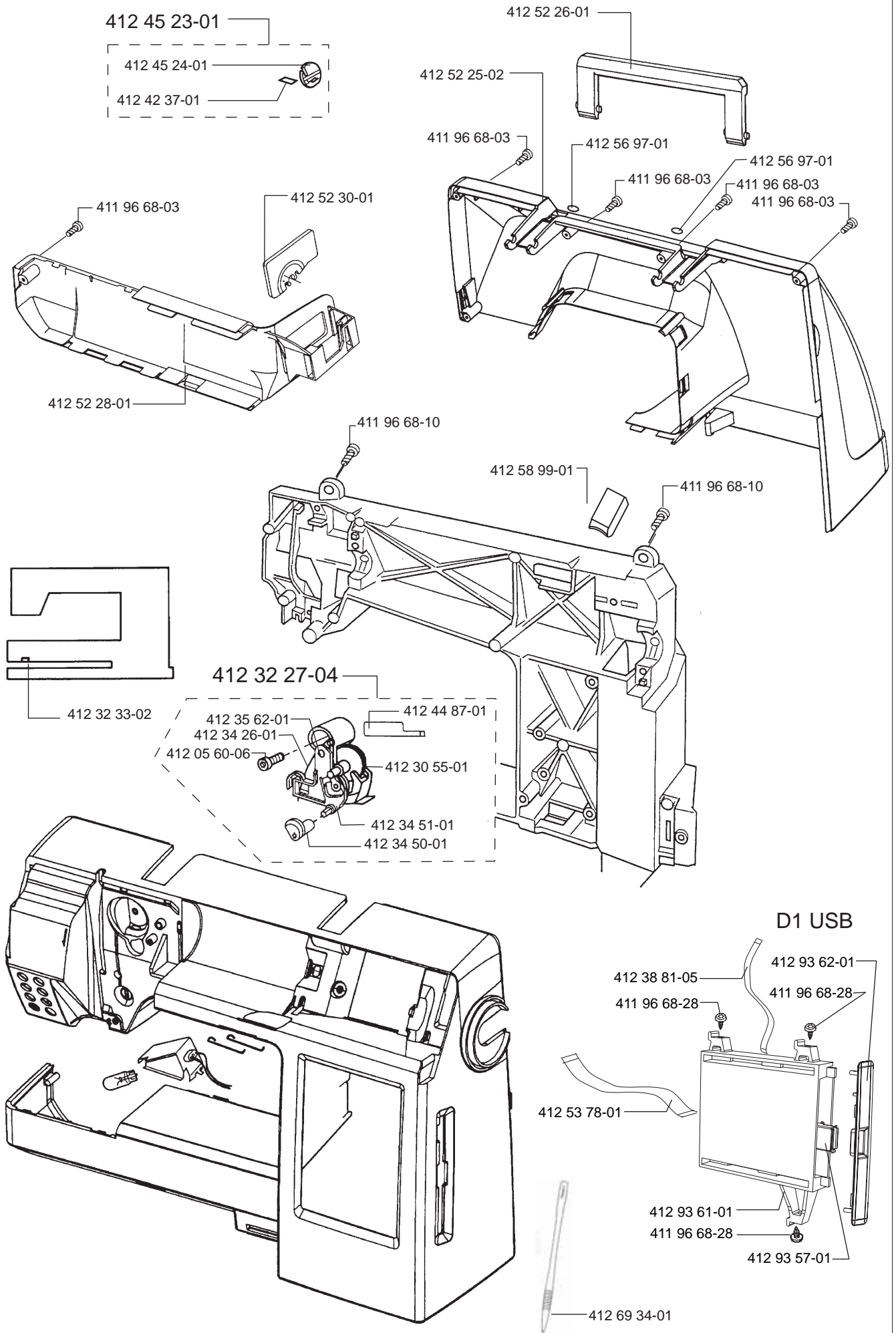


A2 Designer 1

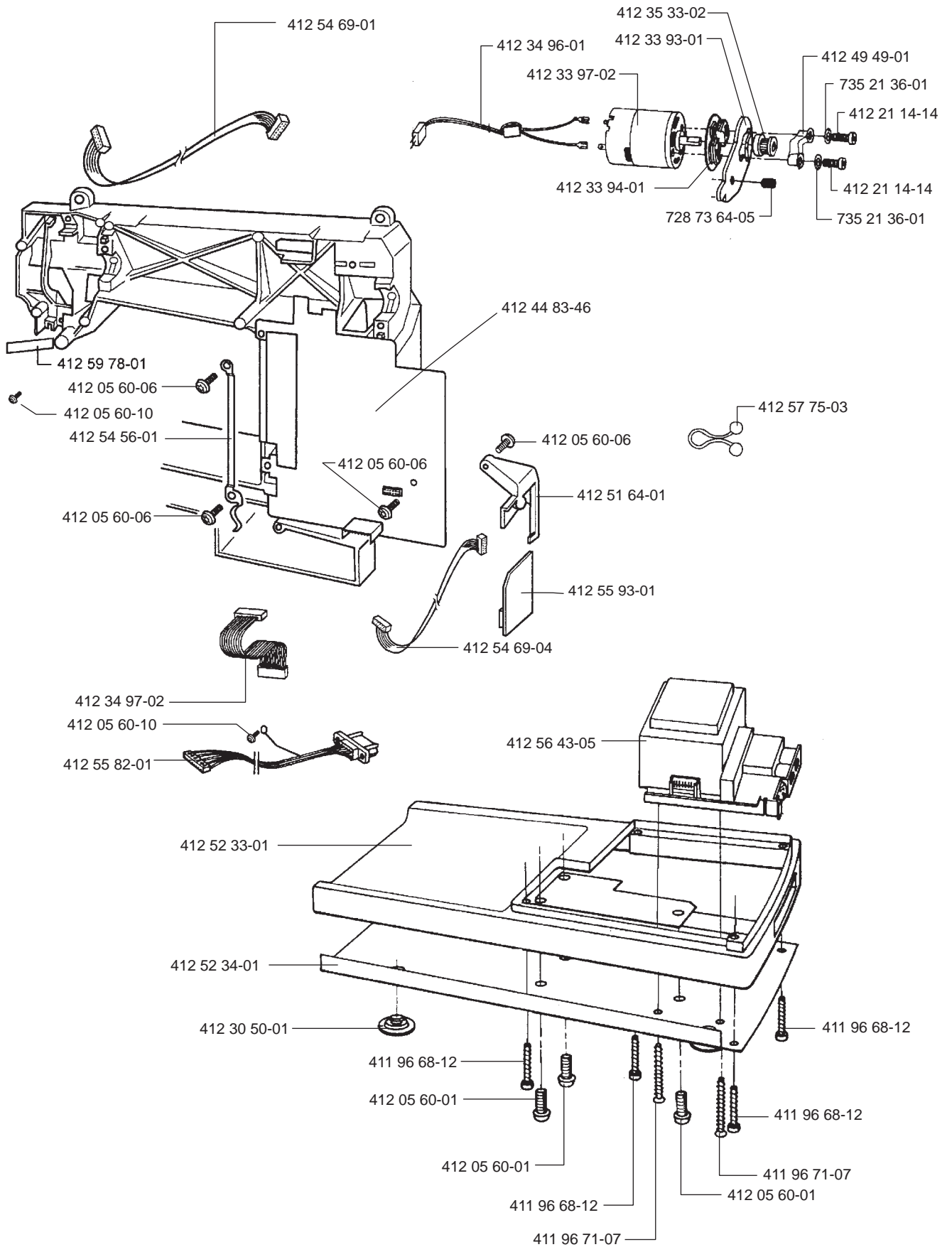
412 92 01-01



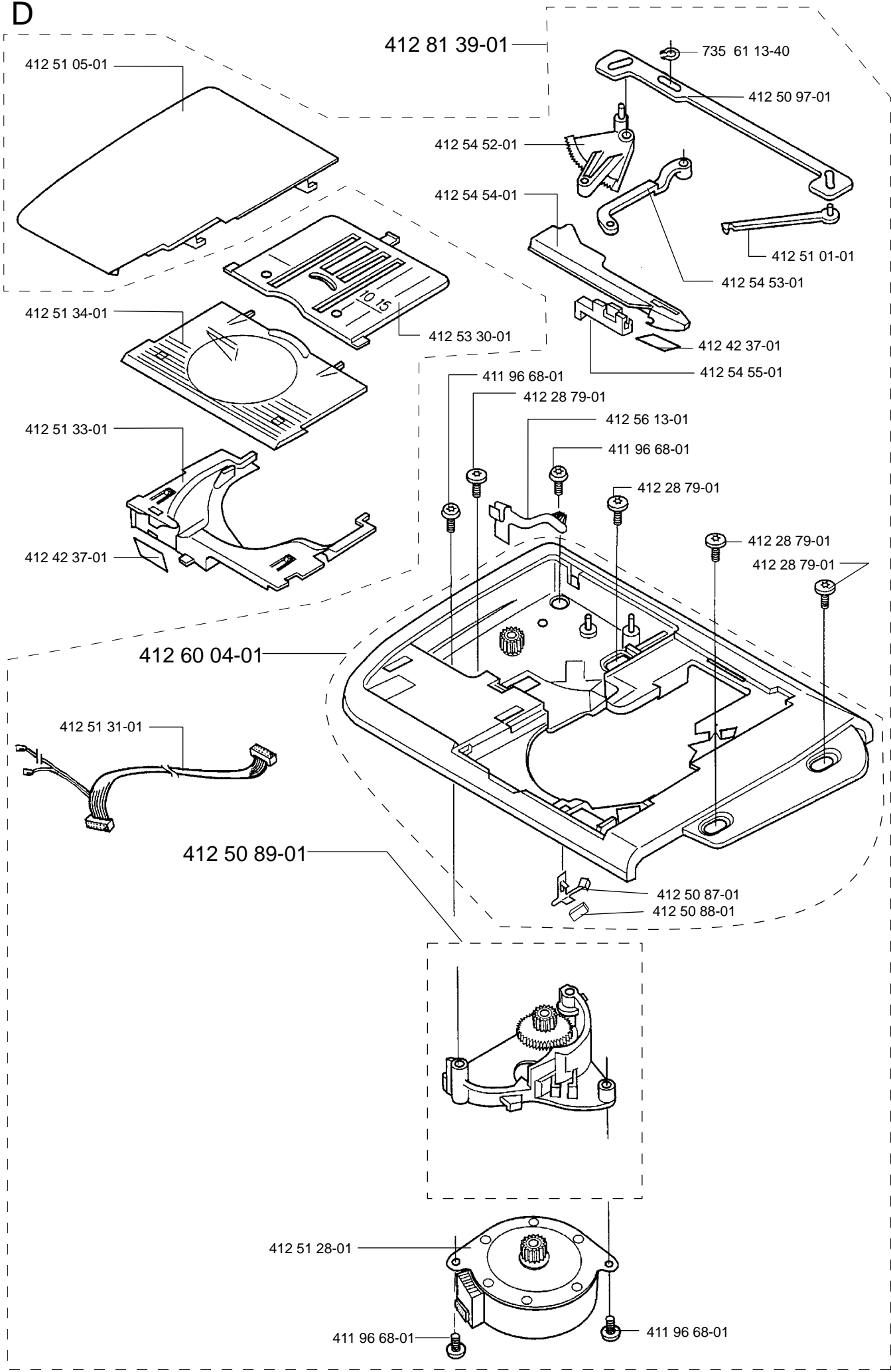
B



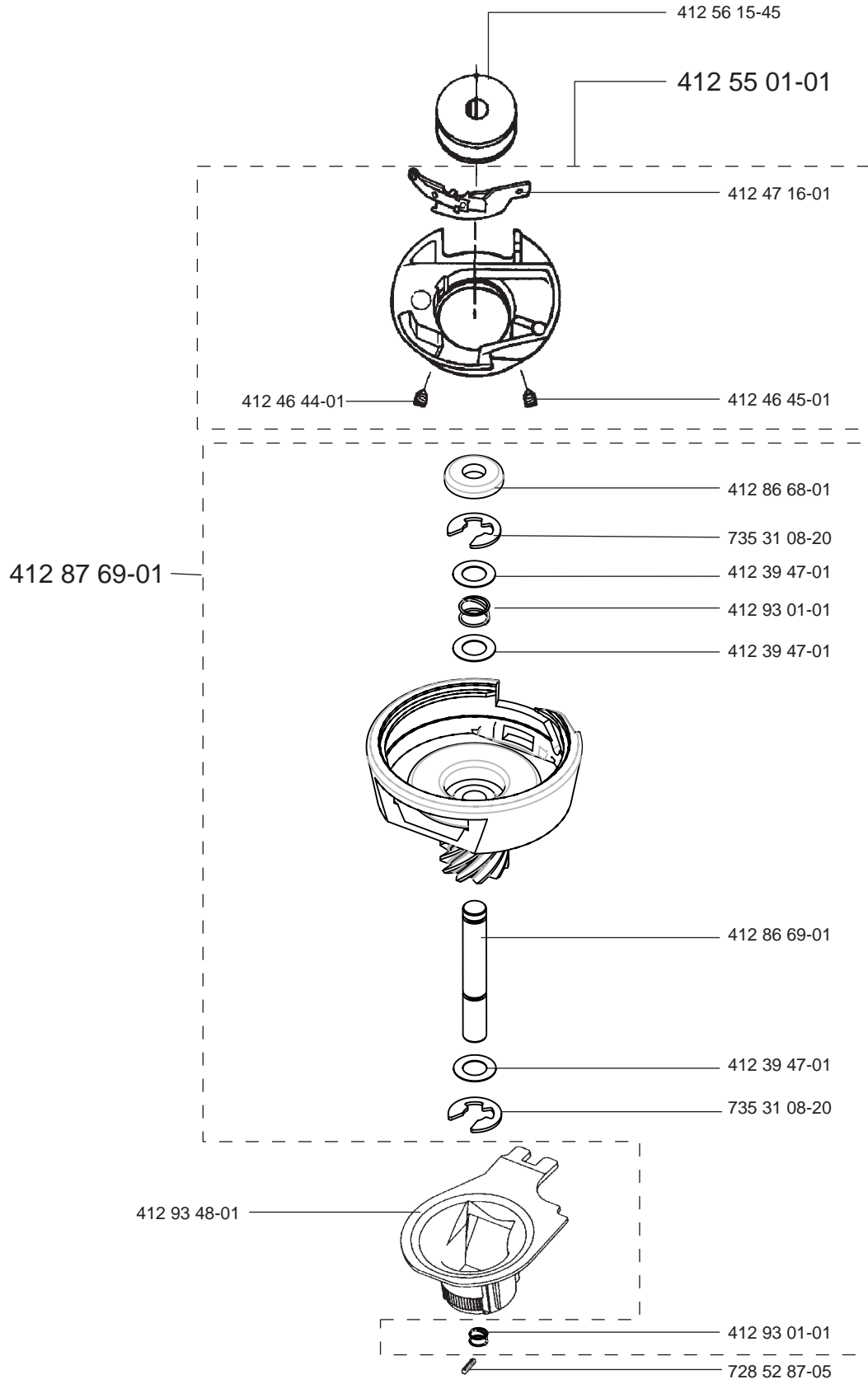
C



D

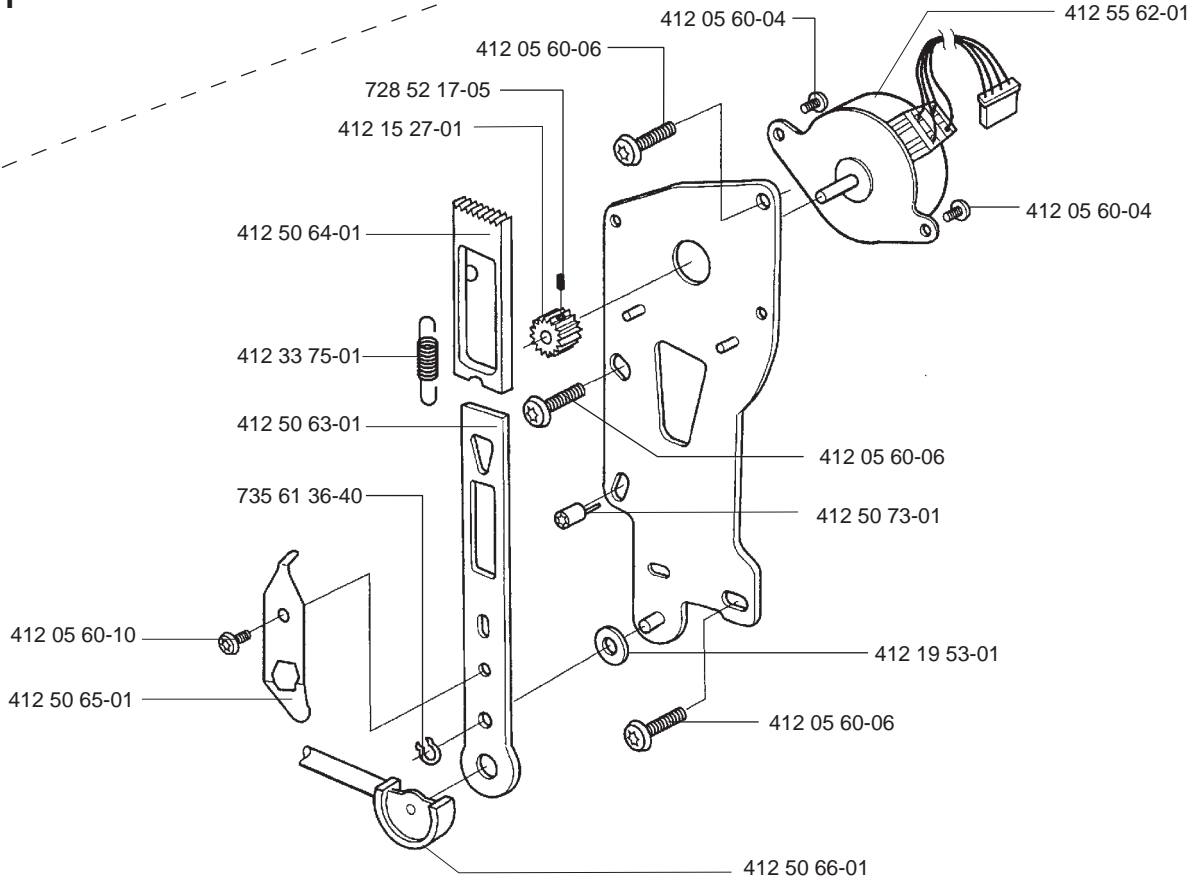


E



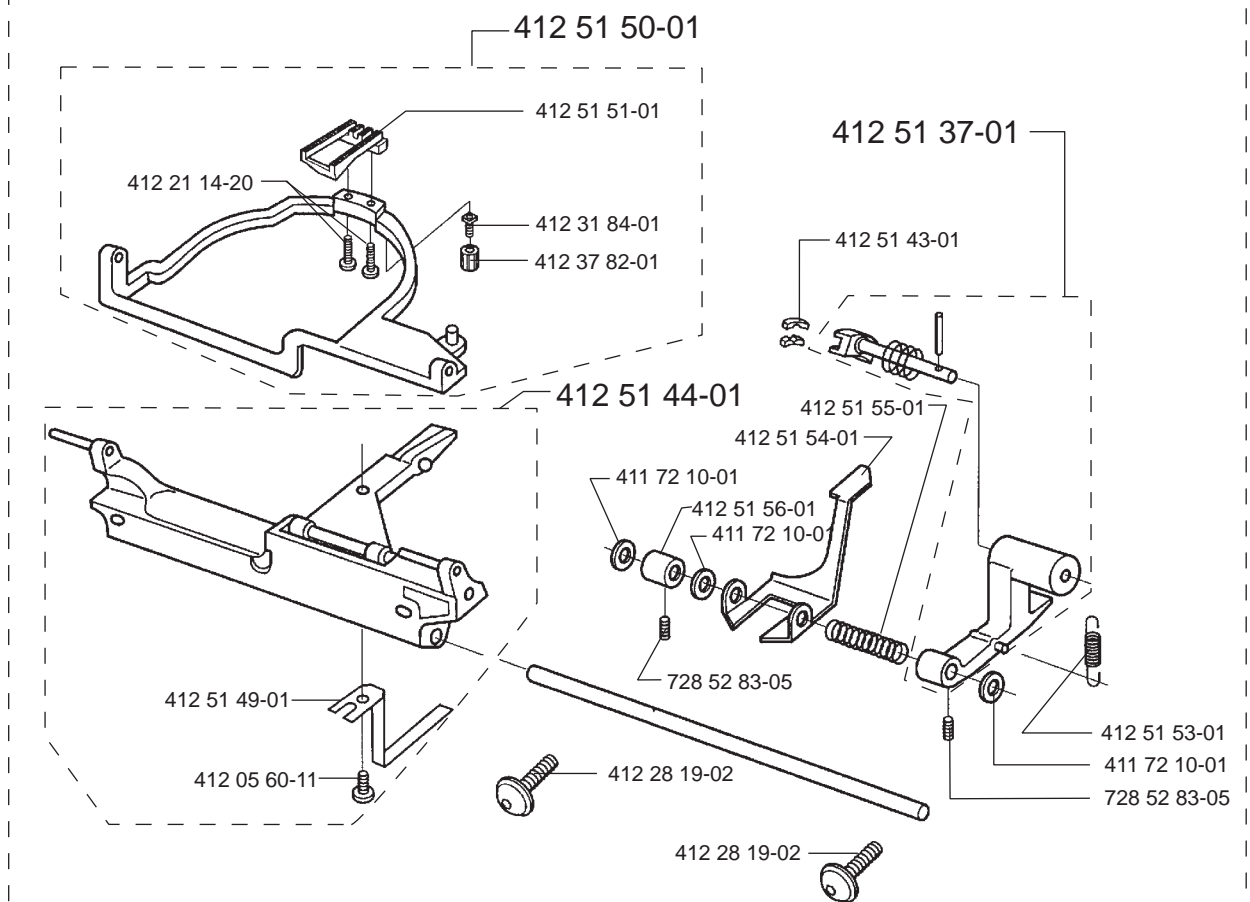
F

412 50 60-01

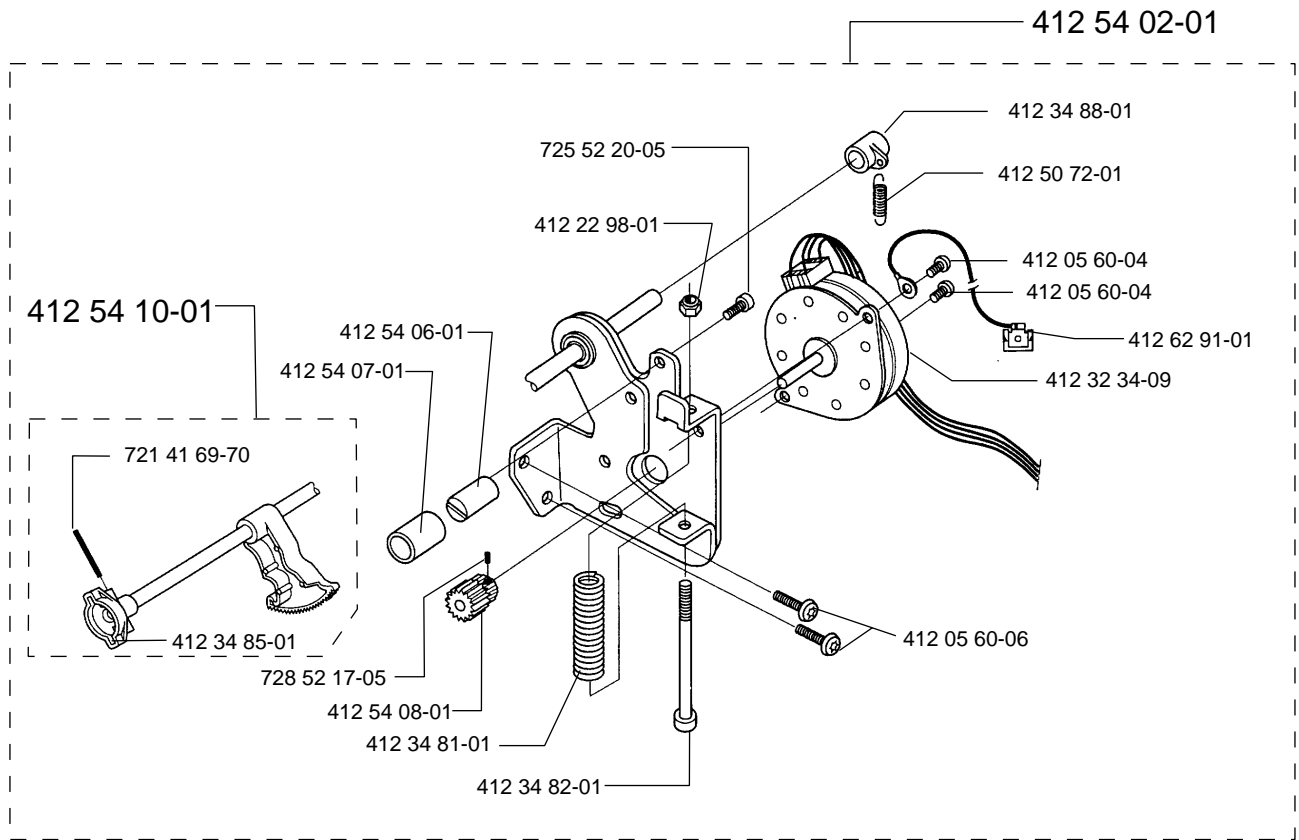


G

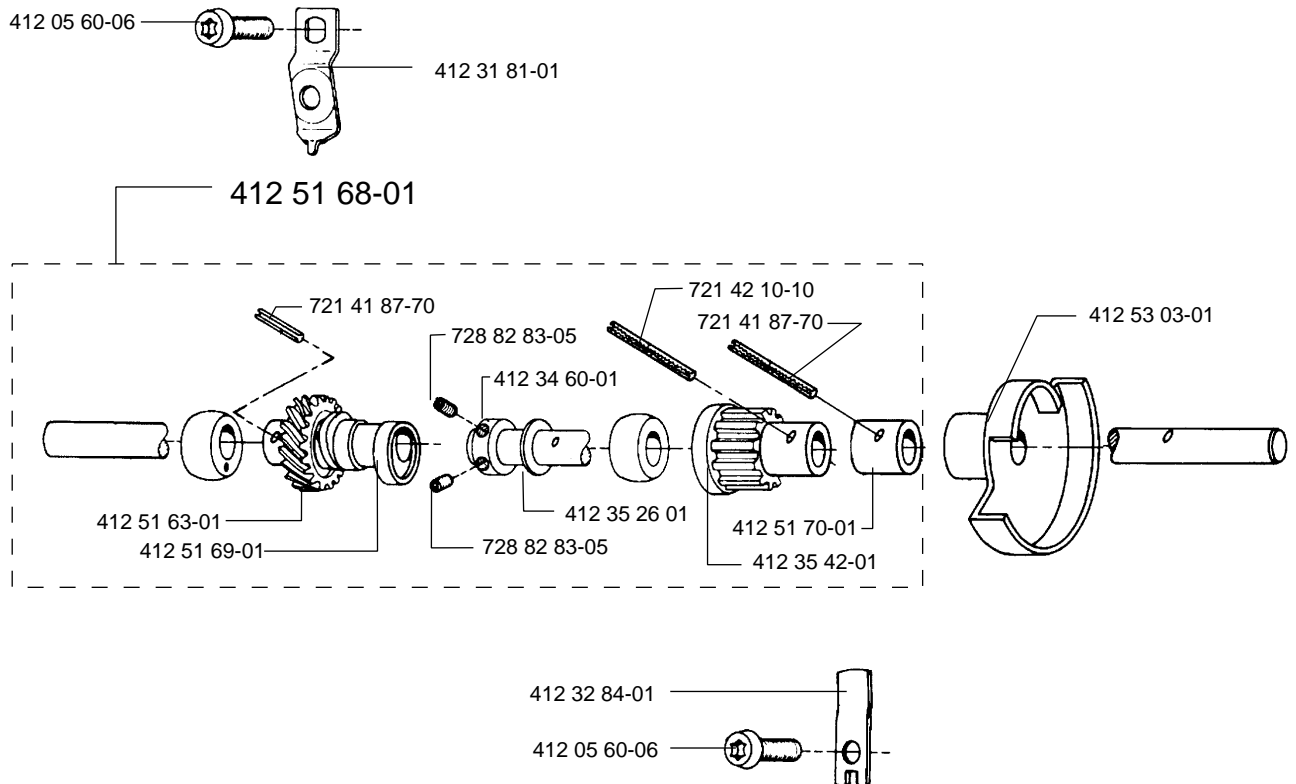
412 51 36-01



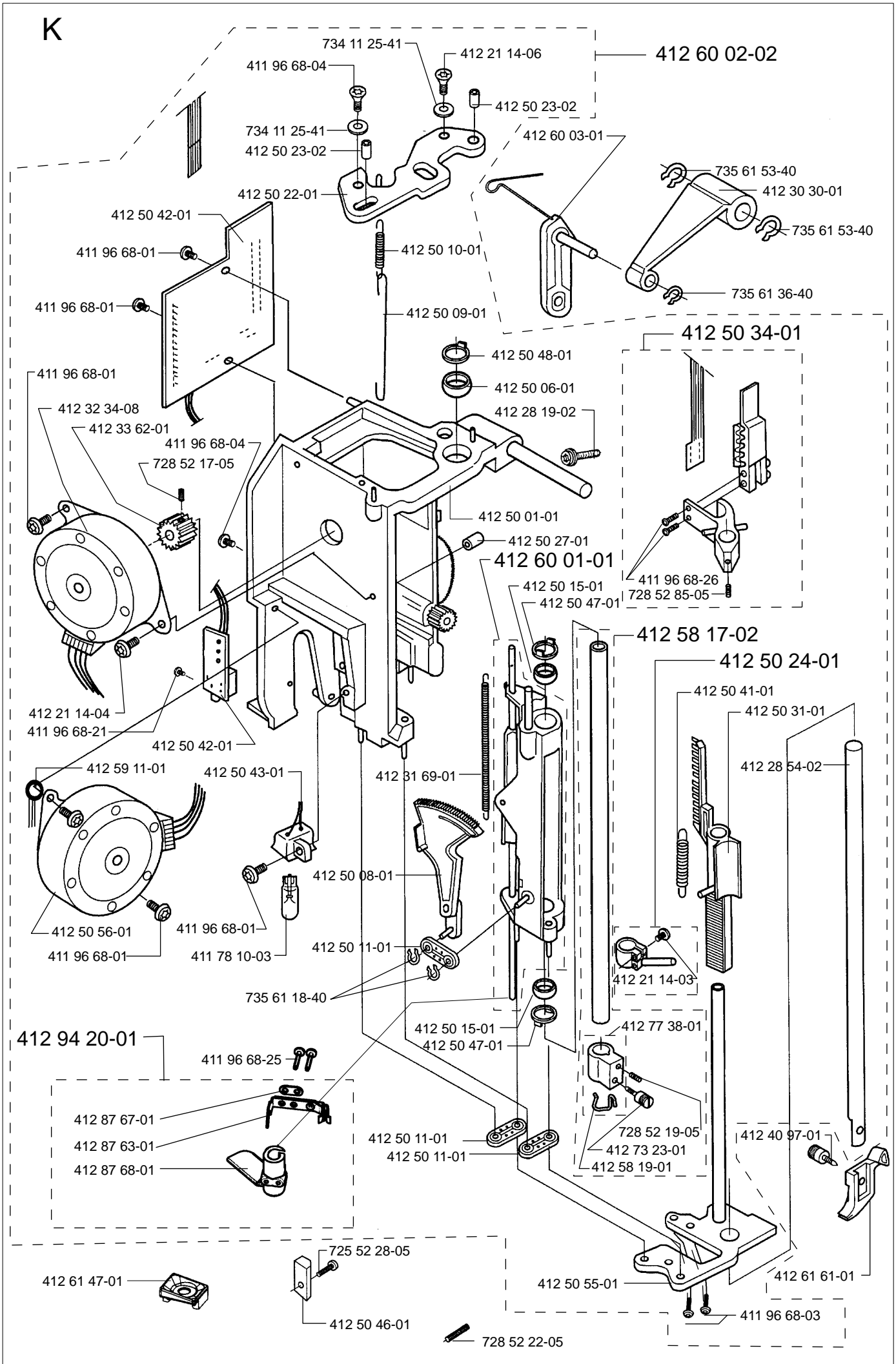
H



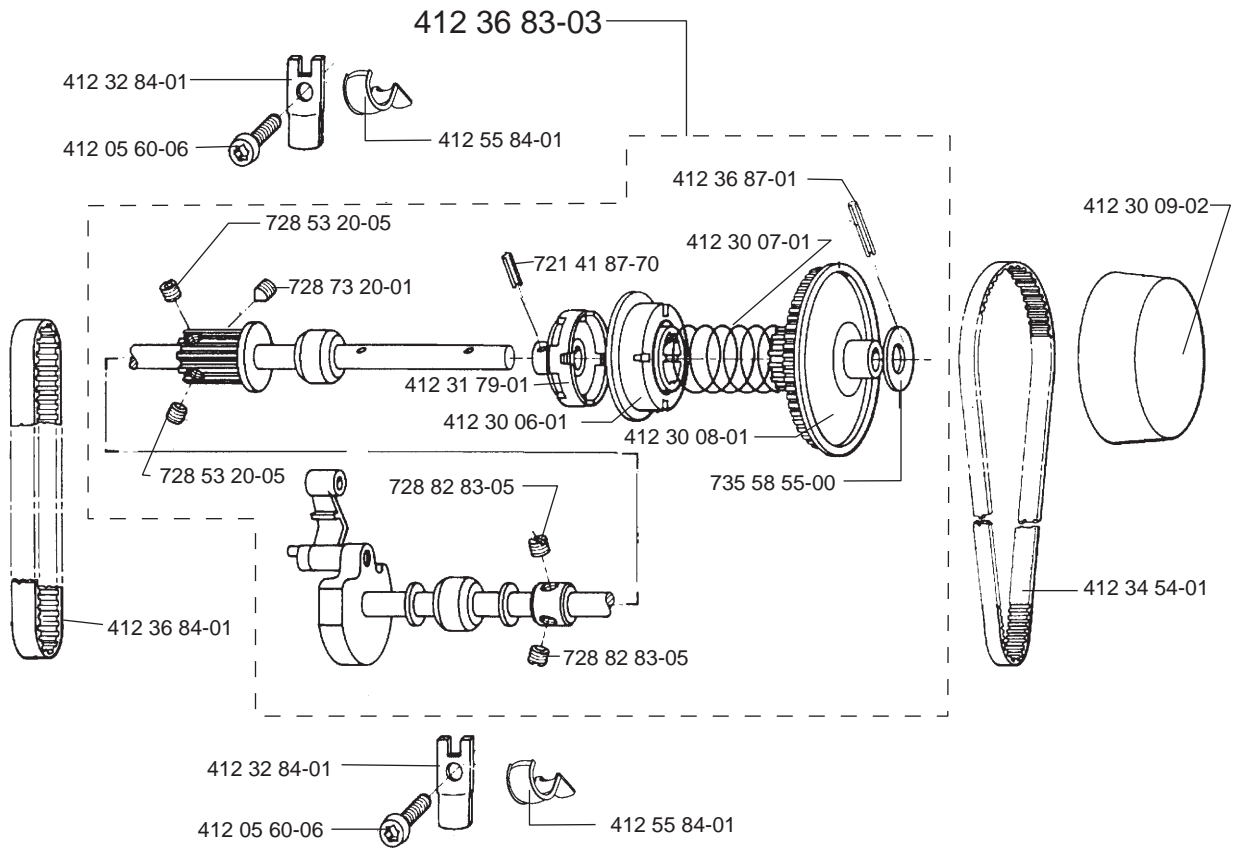
I



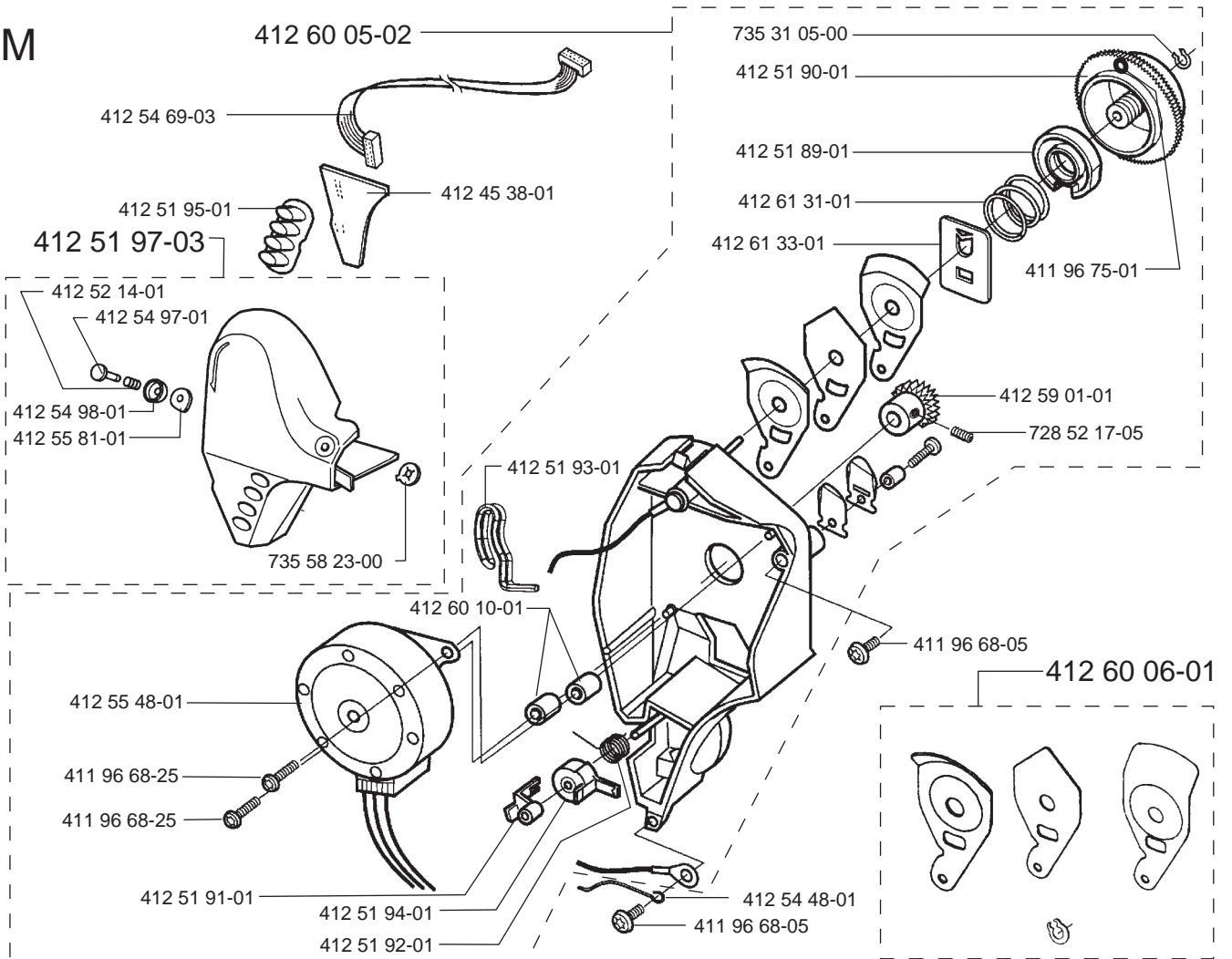
K



L

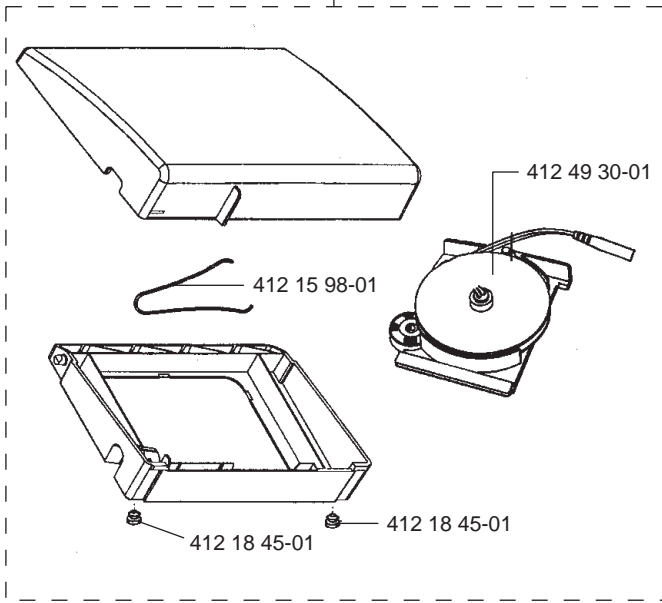


M

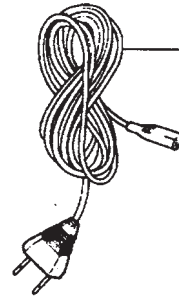
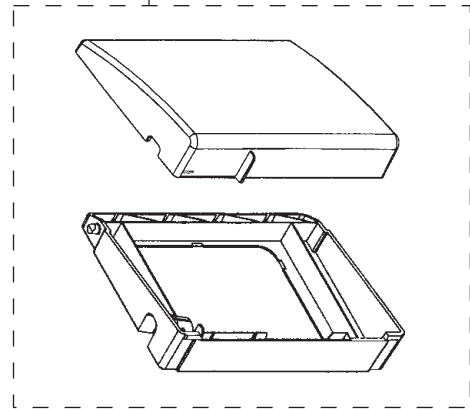


N

412 49 25-01



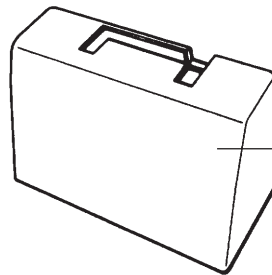
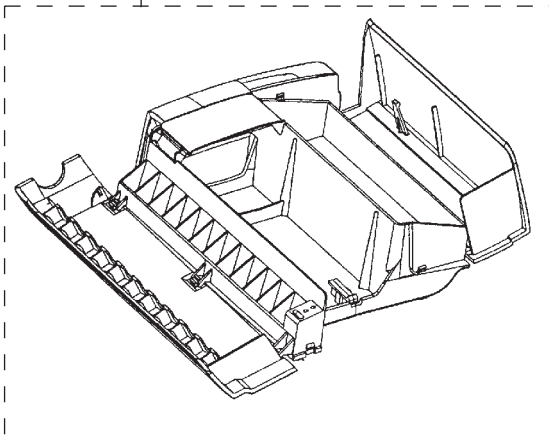
412 74 61-01



- 412 15 78-01 220 V
- 412 15 79-02 Japan
- 412 15 79-03 120 V
- 412 15 80-02 England
- 412 15 81-01 Australia

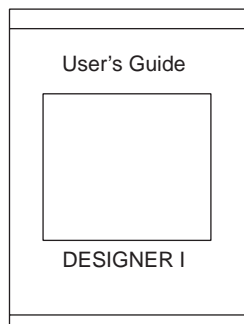
O

412 51 76-01



412 52 92-01

412 39 09-26
Brush, bobbins
Presserfeet etc



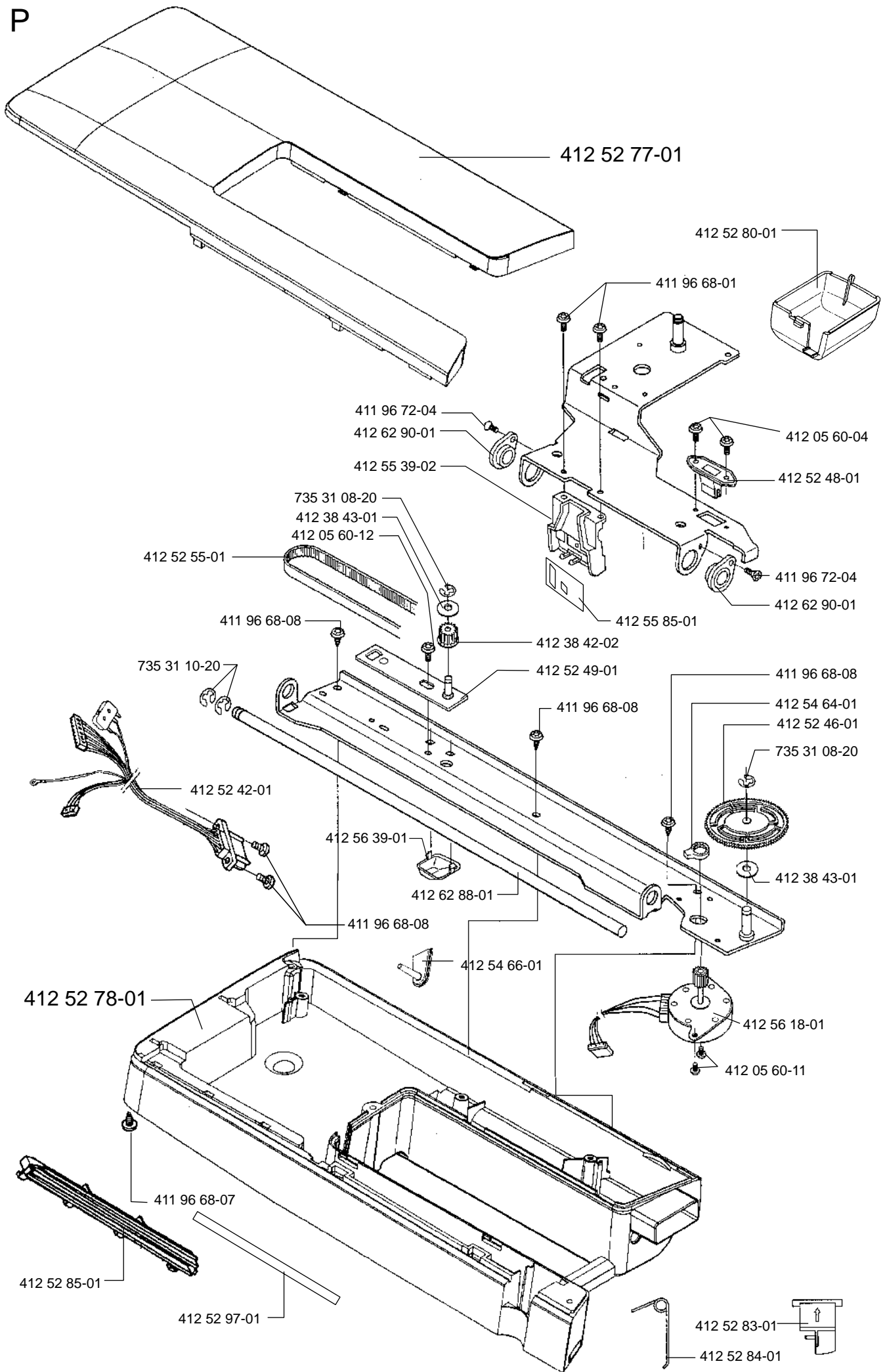
DESIGNER 1, DESIGNER 1 ESS

- 412 85 35-01 Users Guide Swe
- 412 85 35-06 Users Guide Den
- 412 85 35-07 Users Guide Isl
- 412 85 35-10 Users Guide Jap
- 412 85 35-11 Users Guide Fin
- 412 85 35-21 Users Guide Nor
- 412 85 35-26 Users Guide Eng
- 412 85 35-31 Users Guide Fra
- 412 85 35-36 Users Guide Dutch
- 412 85 35-41 Users Guide Ita
- 412 85 35-46 Users Guide Spa
- 412 85 35-51 Users Guide Ger
- 412 85 35-56 Users Guide Rus
- 412 85 35-70 Users Guide Por

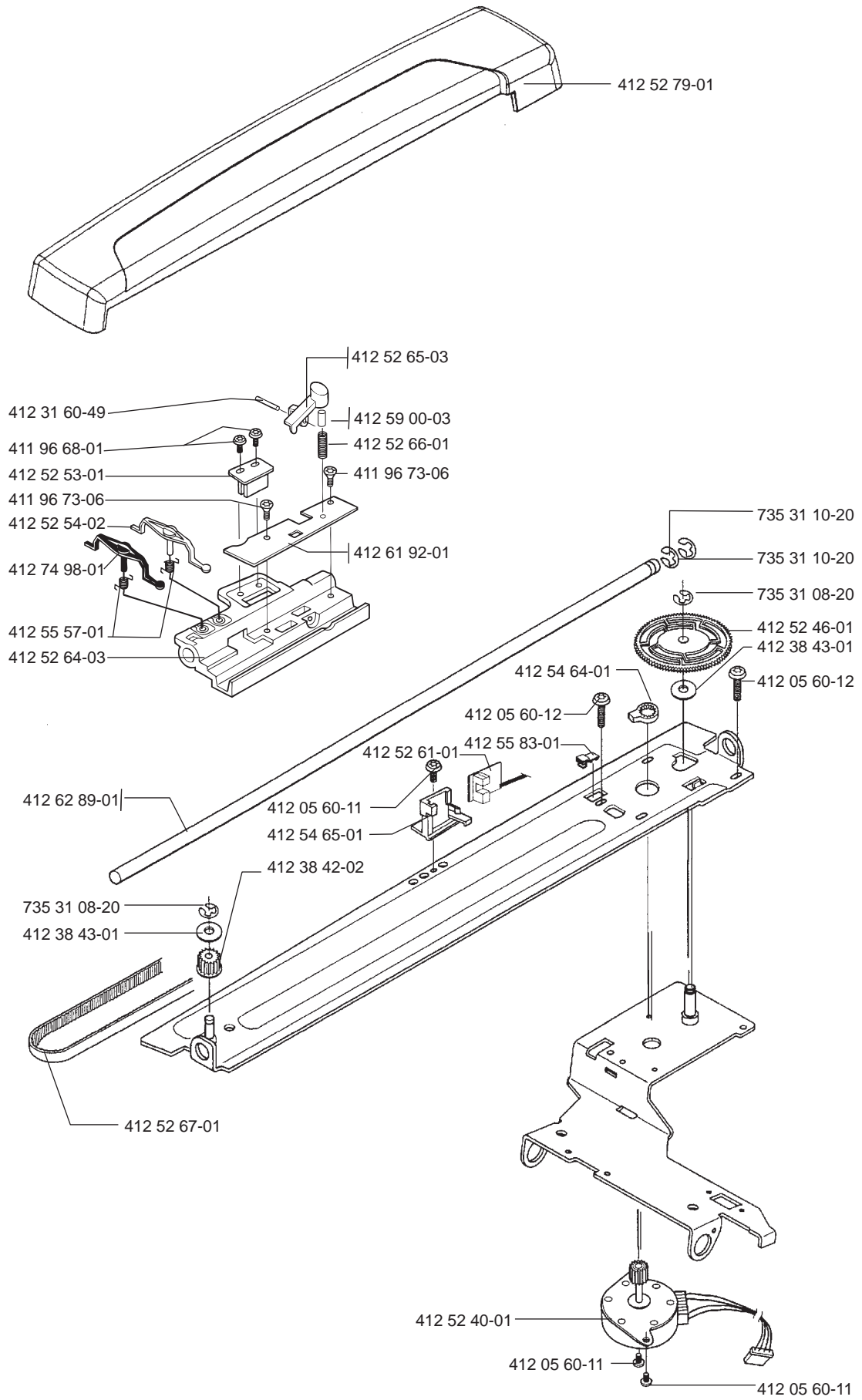
DESIGNER 1 USB

- 412 94 24-01 Users Guide Swe
- 412 94 24-06 Users Guide Den
- 412 94 24-07 Users Guide Isl
- 412 94 24-10 Users Guide Jap
- 412 94 24-11 Users Guide Fin
- 412 94 24-21 Users Guide Nor
- 412 94 24-26 Users Guide Eng
- 412 94 24-31 Users Guide Fra
- 412 94 24-36 Users Guide Dutch
- 412 94 24-41 Users Guide Ita
- 412 94 24-46 Users Guide Spa
- 412 94 24-51 Users Guide Ger
- 412 94 24-56 Users Guide Rus
- 412 94 24-70 Users Guide Por

P



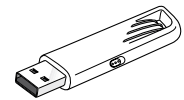
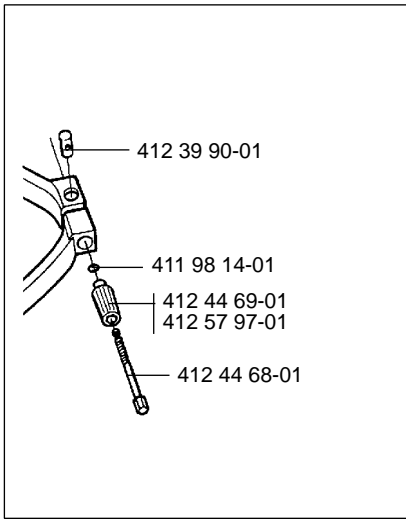
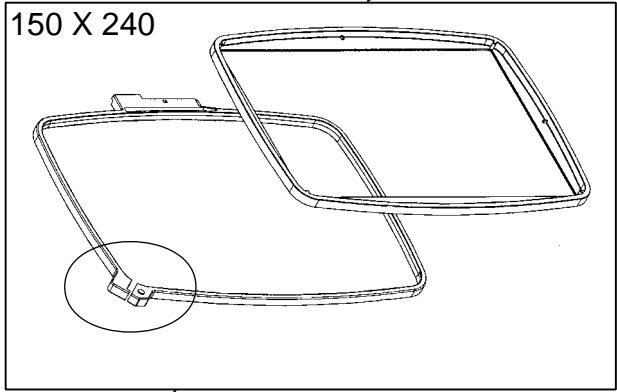
Q



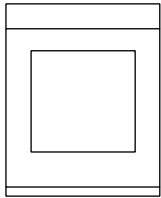
R

412 52 71-02

150 X 240



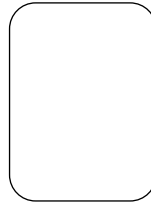
920 073 005
USB Stick D1 128Mb



412 53 73-01
Designer 1
Embroidery
Collection broshur



412 53 74-01
Templet
100x100



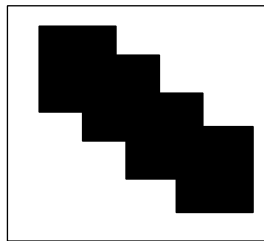
412 53 75-01
Templet
150x240



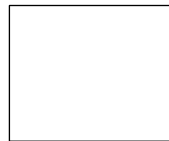
412 56 58-01
Zipper bag



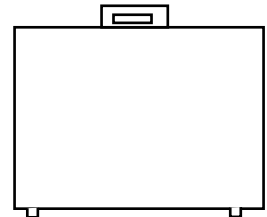
412 56 54-01
Accessories
Siccer, Thread,
Fabrics , R - foot



412 60 71-01
Embroidery Disc 113, 114
Palace script
Clarendon
Calligraphy
Sampler Disc 100



412 65 18-01
Bag with 10 Hoop clips



412 65 45-04
Embroidery box